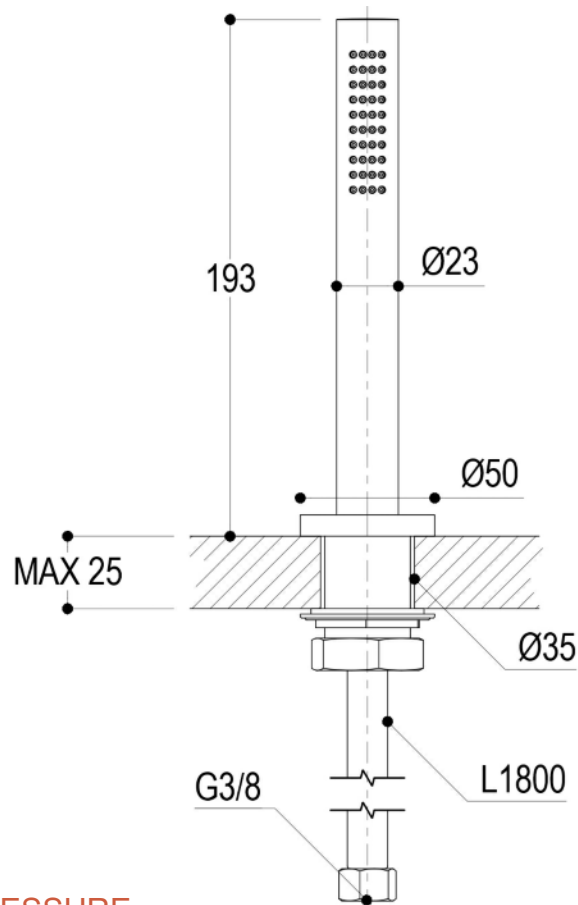


# EDWINS

17 All Saints Road, London, W11 1HA : edwinsbathrooms.co.uk

## BATH PULL OUT HANDSET



### MINIMUM OPERATING PRESSURE

0.5 bar

### FLOW RATES (L/min)

- \* 0.5 Bar:
- \* 1 Bar:
- \* 2 Bar:
- \* 3 Bar:

### CARE & MAINTENANCE

To prevent limescale build up and water marking, products should be wiped dry with a soft microfibre cloth immediately after use. For daily cleaning only warm soapy water or mild, neutral, non-abrasive detergents should be used, promptly rinsed clean and dried with a soft microfibre cloth.

If the products finish has been described as unlacquered it will naturally age and develop a characterful patina over time. This organic process can be left to produce a truly individual finish, or the original finish can be restored by simply cleaning with a suitable metal polish.

Always follow the cleaning product manufacturer's instructions and never mix products. **Warranties related to finish will be invalidated if incorrect/damaging cleaning products are used.**

\*\*\*Drawings shown include the required measurements which are all subject to standard tolerances. Exact measurements can only be taken from the finished piece and we therefore recommend installation does not commence until you have received delivery of the product\*\*\*