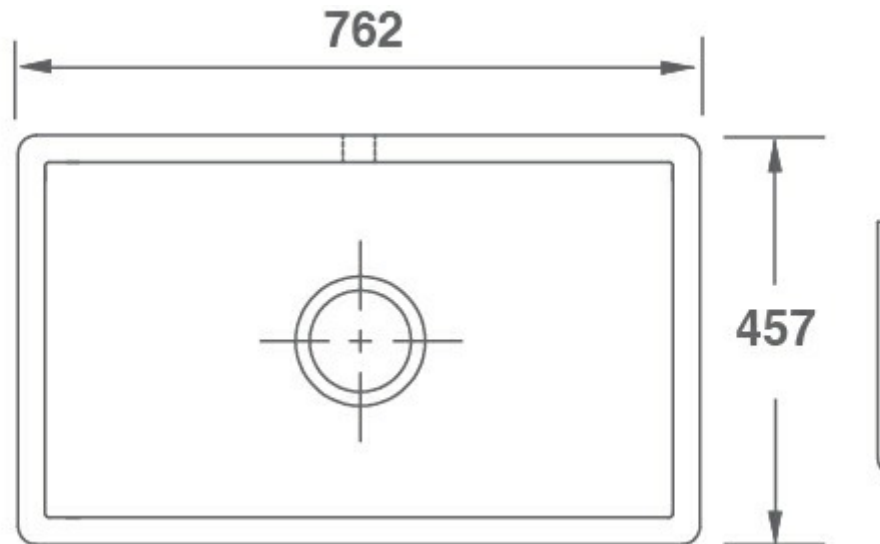


EDWINS

17 All Saints Road, London, W11 1HA : edwinsbathrooms.co.uk

SHAKER - 762



TECHNICAL INFORMATION

- * MATERIAL: CERAMIC
- * TYPE: UNDERMOUNT
- * TAP HOLES: NONE
- * OVERFLOW: YES

CARE & MAINTENANCE

For ceramic products a mild, commercially available bathroom cleaner applied with a soft, clean cloth is suitable for daily cleaning; limescale stains can be removed using an acidic vinegar or citrus based cleaner (pH value 1-4) but for best results, immediately clean any soiled areas to prevent the build-up of limescale.

For solid surface products daily cleaning should consist of wiping down with a soft cloth and warm water. You should always dry the product thoroughly afterwards to prevent limescale build up. Occasionally and if there are more stubborn stains present a gentle scouring cream applied in a circular motion with a clean cloth or a white scouring sponge is recommended. Rinse with water and dry with a soft clean cloth.

For steel products wipe the surface with a soft microfibre cloth or non-abrasive sponge and clean warm water. For daily care a suitable enamel cleaner or a mild, commercially available bathroom cleaner applied with a soft, clean cloth is suitable. DO NOT use aggressive cleaning products such as drain cleaners or highly abrasive products; these may damage the enamel/glazing.

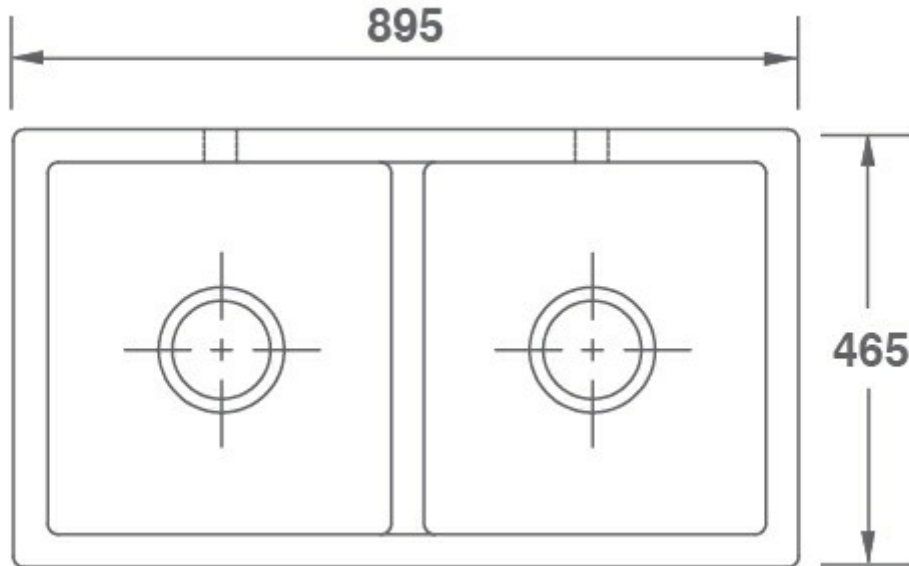
Always follow the cleaning product manufacturer's instructions and never mix products

Drawings shown include the required measurements which are all subject to standard tolerances. Exact measurements can only be taken from the finished piece and we therefore recommend installation does not commence until you have received delivery of the product

EDWINS

17 All Saints Road, London, W11 1HA : edwinsbathrooms.co.uk

SHAKER - 895



TECHNICAL INFORMATION

- * MATERIAL: CERAMIC
- * TYPE: UNDERMOUNT
- * TAP HOLES: NONE
- * OVERFLOW: YES

CARE & MAINTENANCE

For ceramic products a mild, commercially available bathroom cleaner applied with a soft, clean cloth is suitable for daily cleaning; limescale stains can be removed using an acidic vinegar or citrus based cleaner (pH value 1-4) but for best results, immediately clean any soiled areas to prevent the build-up of limescale.

For solid surface products daily cleaning should consist of wiping down with a soft cloth and warm water. You should always dry the product thoroughly afterwards to prevent limescale build up. Occasionally and if there are more stubborn stains present a gentle scouring cream applied in a circular motion with a clean cloth or a white scouring sponge is recommended. Rinse with water and dry with a soft clean cloth.

For steel products wipe the surface with a soft microfibre cloth or non-abrasive sponge and clean warm water. For daily care a suitable enamel cleaner or a mild, commercially available bathroom cleaner applied with a soft, clean cloth is suitable. DO NOT use aggressive cleaning products such as drain cleaners or highly abrasive products; these may damage the enamel/glazing.

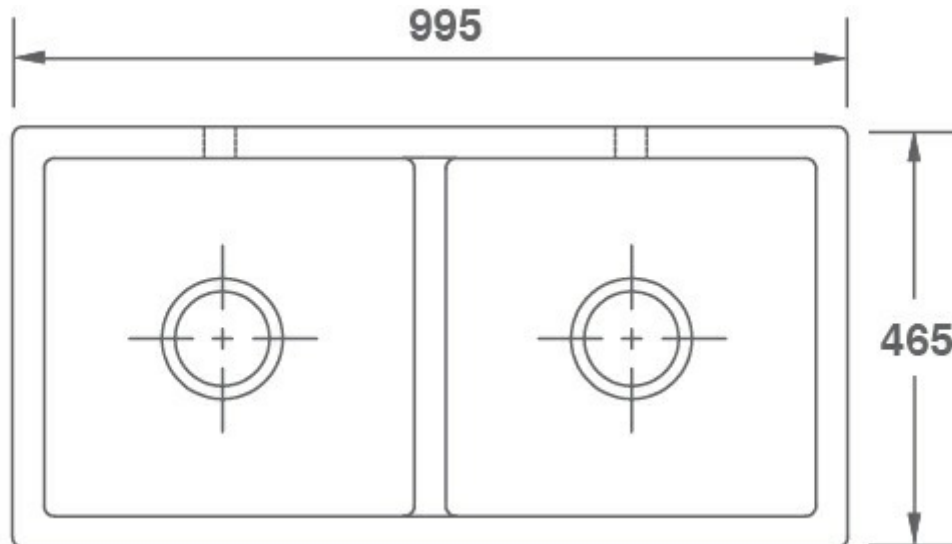
Always follow the cleaning product manufacturer's instructions and never mix products

Drawings shown include the required measurements which are all subject to standard tolerances. Exact measurements can only be taken from the finished piece and we therefore recommend installation does not commence until you have received delivery of the product

EDWINS

17 All Saints Road, London, W11 1HA : edwinsbathrooms.co.uk

SHAKER - 995



TECHNICAL INFORMATION

- * MATERIAL: CERAMIC
- * TYPE: UNDERMOUNT
- * TAP HOLES: NONE
- * OVERFLOW: YES

CARE & MAINTENANCE

For ceramic products a mild, commercially available bathroom cleaner applied with a soft, clean cloth is suitable for daily cleaning; limescale stains can be removed using an acidic vinegar or citrus based cleaner (pH value 1-4) but for best results, immediately clean any soiled areas to prevent the build-up of limescale.

For solid surface products daily cleaning should consist of wiping down with a soft cloth and warm water. You should always dry the product thoroughly afterwards to prevent limescale build up. Occasionally and if there are more stubborn stains present a gentle scouring cream applied in a circular motion with a clean cloth or a white scouring sponge is recommended. Rinse with water and dry with a soft clean cloth.

For steel products wipe the surface with a soft microfibre cloth or non-abrasive sponge and clean warm water. For daily care a suitable enamel cleaner or a mild, commercially available bathroom cleaner applied with a soft, clean cloth is suitable. DO NOT use aggressive cleaning products such as drain cleaners or highly abrasive products; these may damage the enamel/glazing.

Always follow the cleaning product manufacturer's instructions and never mix products

Drawings shown include the required measurements which are all subject to standard tolerances. Exact measurements can only be taken from the finished piece and we therefore recommend installation does not commence until you have received delivery of the product