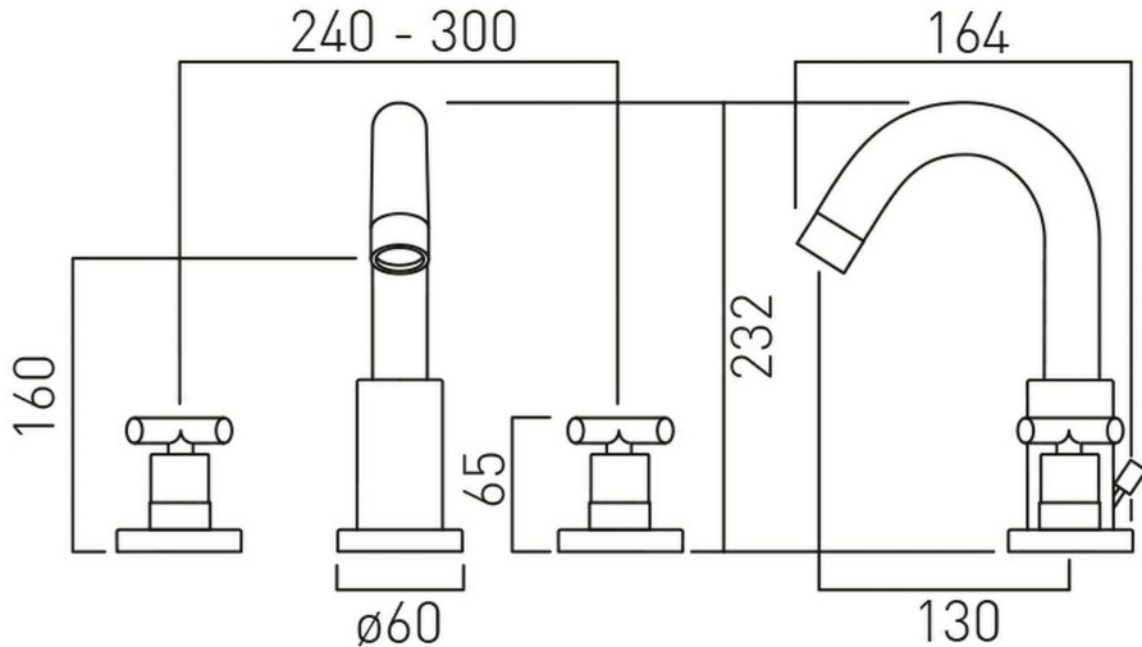


# EDWINS

## SYMBOL BRUSHED GOLD - DECK MOUNTED 3 HOLE BASIN MIXER



### MINIMUM OPERATING PRESSURE

0.2 bar

### FLOW RATES

- \* 0.5 Bar: 8 l/min
- \* 1 Bar: 10 l/min
- \* 2 Bar: 13 l/min
- \* 3 Bar: 17 l/min

### CARE & MAINTENANCE

To prevent limescale build up and water marking, products should be wiped dry with a soft microfibre cloth immediately after use. For daily cleaning only warm soapy water or mild, neutral, non-abrasive detergents should be used, promptly rinsed clean and dried with a soft microfibre cloth. If the products finish has been described as un-lacquered it will naturally age and develop a characterful patina over time. This organic process can be left to produce a truly individual finish, or the original finish can be restored by simply cleaning with a suitable metal polish. Warranties related to finish will be invalidated if incorrect/damaging cleaning products are used.