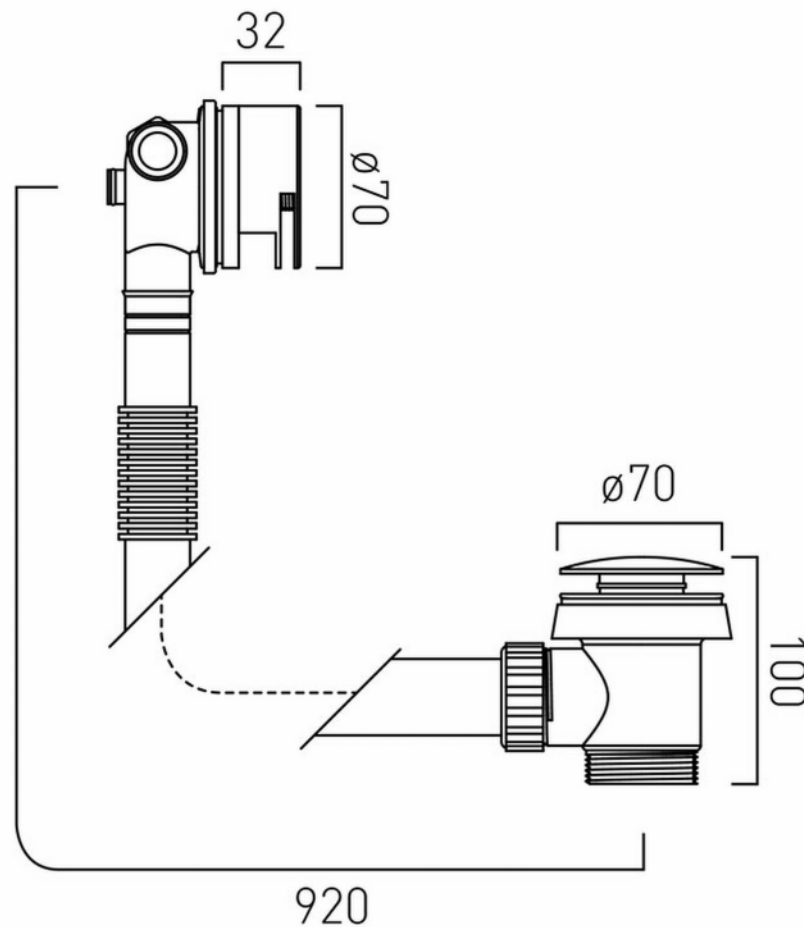


EDWINS

SYMBOL - BATH OVERFLOW FILLER WITH CLICK CLACK WASTE



MINIMUM OPERATING PRESSURE

1.0 bar

FLOW RATES

- * 0.5 Bar:
- * 1 Bar:
- * 2 Bar:
- * 3 Bar: 26 l/min

CARE & MAINTENANCE

To prevent limescale build up and water marking, products should be wiped dry with a soft microfibre cloth immediately after use. For daily cleaning only warm soapy water or mild, neutral, non-abrasive detergents should be used, promptly rinsed clean and dried with a soft microfibre cloth. If the products finish has been described as un-lacquered it will naturally age and develop a characterful patina over time. This organic process can be left to produce a truly individual finish, or the original finish can be restored by simply cleaning with a suitable metal polish. Warranties related to finish will be invalidated if incorrect/damaging cleaning products are used.