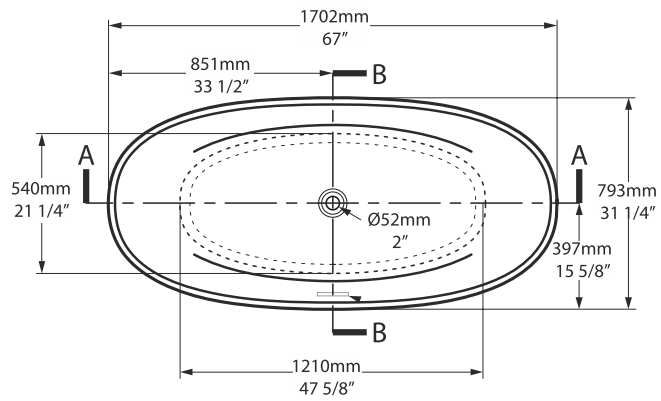


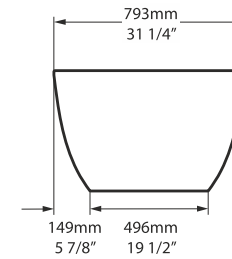


TERRASSA

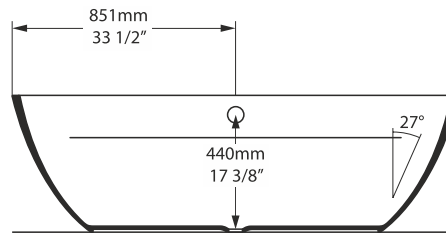
Top view



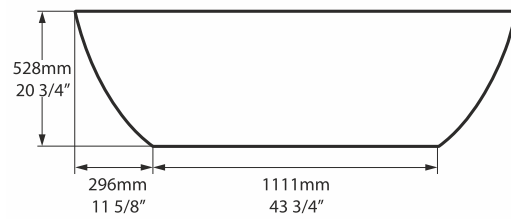
Front view



Section AA

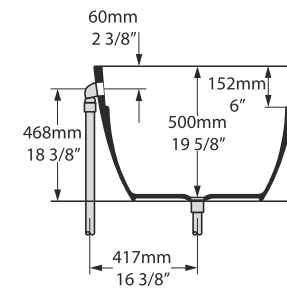


Side view



Section BB

Shown with K17 waste kit



*All measurements subject to +/-5% tolerance
*Overflow hole not drilled